

720LM/DM

SFIC: Cam Lock
For Small Format
Interchangeable Core



For BEST style interchangeable core cylinders

ANSI/BHMA Grade 1
E07261 | E07271
Woodwork Institute (WI)
acknowledged product

GENERAL SPECIFICATIONS

Function: Cam lock
Retrofits: Best 1E7E4
ANSI/BHMA: Passed ANSI/BHMA A156.11 Grade 1 performance requirements. Equivalent to E07261/ E07271.
Cylinder diameter: 1-1/8"
Across flats: 7/8"
Max. material thickness: 1-1/8"
Min. material thickness: 0.08"
Functions: Includes parts for key-retaining or non-key-retaining function.
Cam installation: See our website for cam assembly instructions.
Body: Zinc die cast
Finish: 26D, US26, US3 or US4
Packaged: Packed 10 per box

KEYING INFORMATION

Cores: Not included.
Accepts: Best, Arrow, Falcon, KSP, Schlage SFIC or equivalent small format interchangeable cores
Compatible electronic cylinders: Medeco Nexgen XT or VIDEX CyberLock SFIC cylinders

INCLUDES

- 725-PA plastic thumbturn
- 720-PL3 stabilizer plate
- 725-1 spacer to fit 6 or 7 pin cores
- 720-3-1 short inverted cam
- 720-3-2 long vertical cam
- 720-CDLM lost motion cam shifter
- 720-CDDM key retaining door cam shifter
- 720-KR key retaining drawer cam shifter



US26D finish

US26 finish

US4 finish

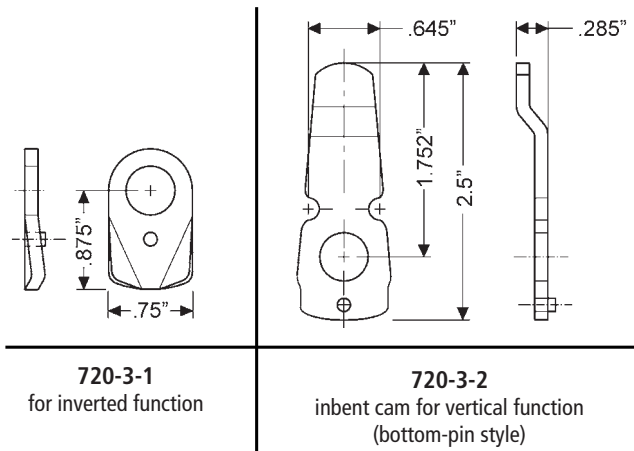


US3 finish

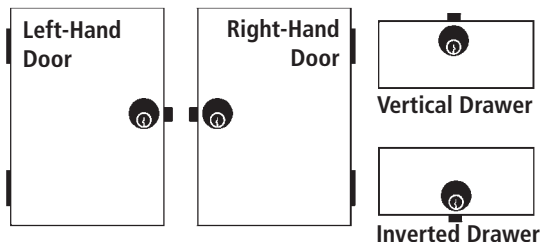


720-PL3
 Anti-rotation plate included

INCLUDED CAMS



HANDING CHART



720LM/DM

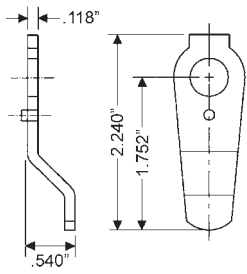
SFIC: Cam Lock
For Small Format
Interchangeable Core

ANSI/BHMA Grade 1
E07261 | E07271

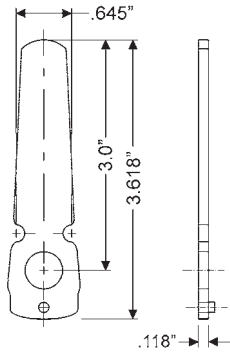
Woodwork Institute (WI)
acknowledged product

OPTIONAL ACCESSORIES- See our website for a complete list of optional components.

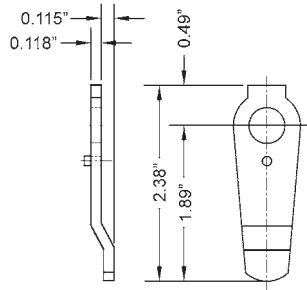
Optional Cams



720-3-3
inbent cam for
inverted function



720-3-4
3" straight cam for vertical
function



720-3-5
inbent cam for
inverted function

CL-MP-118 Double-D Metal Punch

Hole size: Punches a DOUBLE "D" hole size
approximately 7/8" wide by 1-1/8" high.



TR200 Series Trim Collars



TR201
1/8"



TR202
1/4"



TR203
3/8"



TR204
5/32"

206/207 Series SFIC Cylinders

Best compatible 6 and 7 pin small format interchangeable core cylinders



BEST compatible
interchangeable
core cylinders



A	B	C	D	E	F	G	H	
J	K	L	M	Q	1C	1D	KMT300	

DIMENSIONS

MOUNTING CUTOUT

